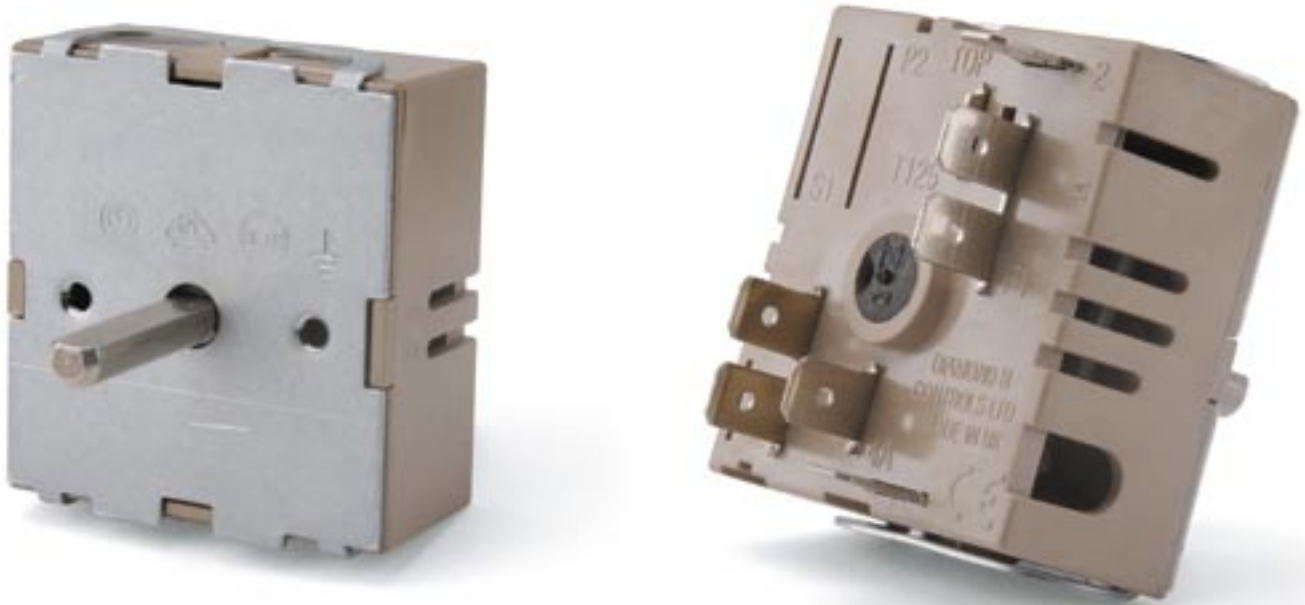


40ER Series Energy Regulators

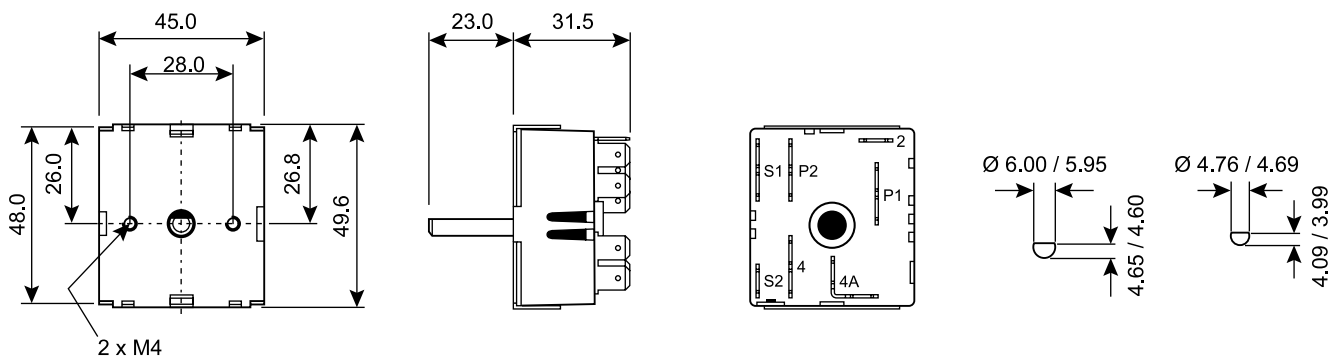


The 40ER Series low profile energy regulators have been designed to meet the demands of modern cooking appliances where control compartment space is limited.

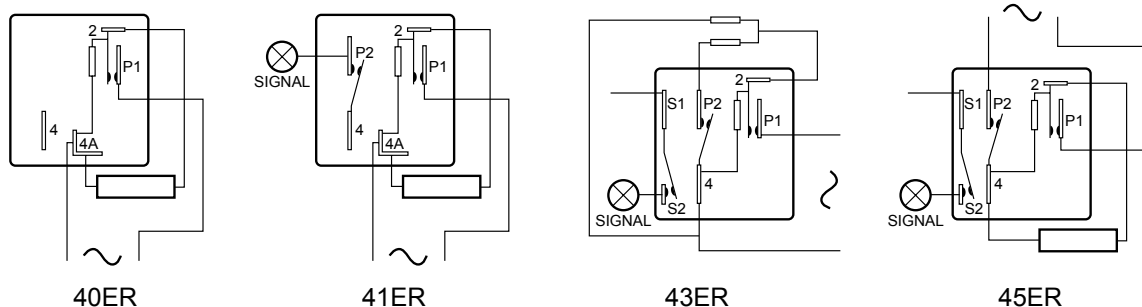
These energy regulators are manufactured to a high performance specification with an ambient temperature rating of 125°C



Dimensions



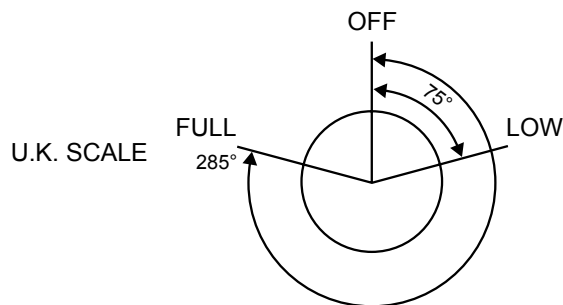
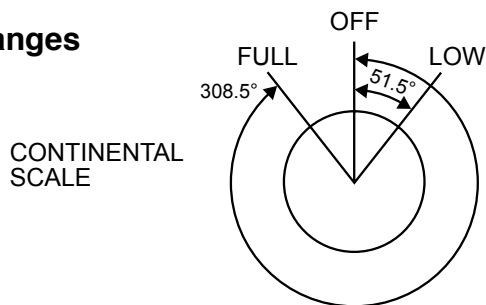
Wiring Diagrams



40ER Series Energy Regulators



Scale Ranges



SPECIFICATION

Types

40ER	Single pole
41ER	Single pole with signal contacts
42ER	Dual circuit single pole
43ER	Dual circuit single pole with signal contacts
44ER	Double pole
45ER	Double pole with signal contacts
47ER	Dual circuit latched double pole with signal contacts
48ER	Dual circuit single pole with up-rated signal contacts
49ER	Single pole with up-rated signal contacts

Rating

Thermal Contacts P1-2	13.5A 240V AC max - resistive 7A 400V AC max - resistive Tungsten Halogen (ballast load) 1960W 240V AC max
------------------------------	---

Signal Contacts P2-4

E41ER types	0.1A 400V AC max - resistive
49ER types	1A 400V AC 0.35pF

Signal Contacts S1-S2

45ER types	30.1A 400V AC max - resistive
48ER types	1A 250V AC 0.35pF

Performance Characteristics

UK Scale	Operating range	75° to 285° ↻ Clockwise
	Output	6 ± 3% at 75° ↻ 70 ± 15% at 260° ↻ 100% at 285° ↻
Continental Scale	Operating range	51.5°-308.5° ↻ Clockwise
	Output	6 ± 3% at 51.5° ↻ 60 + 20% - 8% at 258° ↻ 100% at 308.5° ↻
Dual Circuit Scale	Operating range	35°-154° Clockwise & Anticlockwise
	Output	7 ± 4% at 35° ↻ 70 ± 15% at 125° ↻ 100% at 154° ↻
Dual Circuit Latched Double pole scale	Operating range	51.5°-308.5° ↻ Clockwise
	Output	6 ± 3% at 51.5° ↻ 60 + 20% - 8% at 258° ↻ 100% at 308.5° ↻

Other Features

Temperature Rating	125°C max continuous rating Controls are ambient compensated
Terminations	6.3mm push-on type
Indexing	OFF position & FULL ON position
Spindle	6.0mm or 4.73mm diameter single D section
Plastic Spindle	Available on request
Mounting	Two screw fixing - 2 x M4 screws at 28mm centres - max screw insertion 5mm
Push to turn	Available on request
Approvals	EN 60 730-2-1 & EN 60 730-2-11

40ER Series Energy Regulators
Dimensions and specifications subject to change without notice.

Diamond H Controls Ltd, Diamond Road, Norwich, Norfolk, NR6 6AH, England

Telephone: +44 (0) 1603 425 291 Fax: +44 (0) 1603 424 907 Web: www.diamond-h.com Email: info@diamond-h.com